

Category 6A Shielded Keystone Jack



Category 6A Shielded Keystone Jack (SGKSsu+)

Our die-cast fully shielded Category 6A jack offer a toolless keystone solution for any Category 6A requirement.

Features

- High performance compliant with TIA/EIA 568-B.2-10 at component level
- Quick and easy toolless lever termination
- Fully shielded die-cast body is robust as well as offering outstanding performance in eliminating alien cross-talk
- Standard format keystone fits a wide range of panels, adaptors and faceplates

Specifications

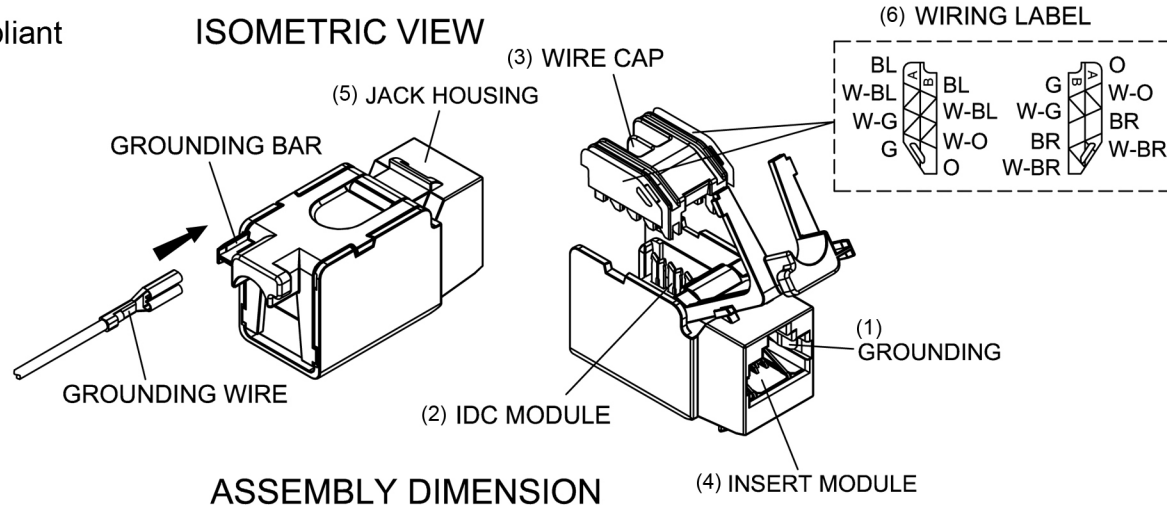
- Dimensions: 41.8 x 17 x 19.3mm (LxWxH)
- Weight: 29g approx
- Materials: Zinc alloy housing; 50µ"/1.27µm gold plating over nickel over phosphor bronze on contacts
- Plug insertion life: > 750 insertions
- Individually packed (supplied with cable tie)

Commodity Code: 85444920

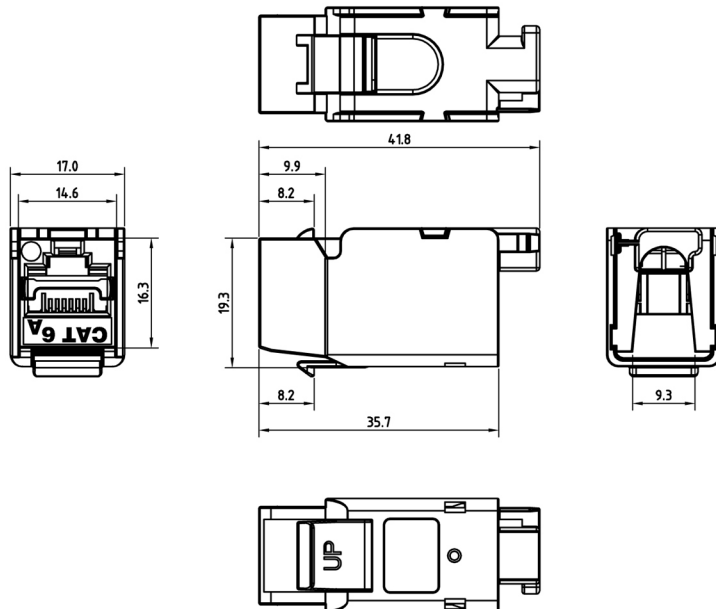
EAN Number: 5055386507211

ROHS Compliant

Code: **SGKSsu+**



ASSEMBLY DIMENSION



COMPONENTS		
ITEM	PART NAME	Q'TY
1	GROUNDING	1
2	IDC MODULE	1
3	WIRE CAP	1
4	INSERT MODULE	1
5	JACK HOUSING	1
6	WIRING LABEL	2

TRANSMISSION PERFORMANCE
MEET ALL REQUIREMENTS SPECIFIED IN CONNECTING HARDWARE REQUIREMENT OF:
DRAFT ISO/IEC 11801 AMENDMENT 2, CATEGORY 6A
DRAFT ISO/IEC 60603-7-51
ANSI/TIA-568-C.2, CATEGORY 6A

ELECTRICAL
ELECTRICAL INSULATION RESISTANCE : 500 MΩ MIN. @ 100V D.C
DIELECTRIC WITHSTANDING VOLTAGE : 1000V D.C. OR A.C. PEAK CONTACT TO CONTACT @ 60HZ FOR 1 MINUTE, 1500V D.C. OR A.C. PEAK CONTACT TO PANEL @ 60HZ FOR 1 MINUTE

MECHANICAL
INSERTION / EXTRACTION LIFE : 750 CYCLES MINIMUM
IDC WIRE GAUGE : 22 ~ 24 AWG

PHYSICAL
HOUSING : ZINC-ALLOY FULLY SHIELDED
SPRING WIRE : PHOSPHOR BRONZE ALLOY PLATED WITH 50 MICRO-INCH OF GOLD
IDC : PHOSPHOR BRONZE ALLOY WITH 100 MICRO-INCH 100% SN ALLOY

UNLESS OTHERWISE SPECIFIED:
 TOLERANCES
 INCH MM ANGULAR
 .X ± .016 .X ± 0.2 X ± 1°
 .XX ± .008 .XX ± 0.1 .X ± .5°
 .XXX ± .004

Unit: mm